

DRESDEN BATON/CORD DRAW TRAVERSING COLLECTION INSTALL INSTRUCTIONS

YOU HAVE RECEIVED A PRE-ASSEMBLED SYSTEM. SIMPLY FOLLOWING THESE STEP-BY-STEP INSTRUCTIONS, YOU WILL SOON BE ENJOYING YOUR NEW DRAPERY HARDWARE.

Getting Started:

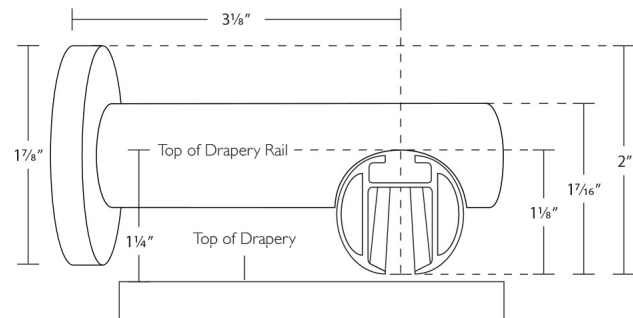
Please read through all instructions carefully before you begin.

Unpack all materials making sure all components are included:

- Screws
- Rails built to your specifications
- Mounting bracket and backplate
- Allen keys
- Finials
- Splice (optional)
- Tension pulley for child safety (corded rails only)

Tools You Will Need:

- Drill with a 1/8" bit and a Phillips bit
- Phillips screwdriver
- Metal tape measure



Installing Your Wall Mount Drapery Hardware - Single Set:

Please read through all instructions carefully before you begin.

1. Mark

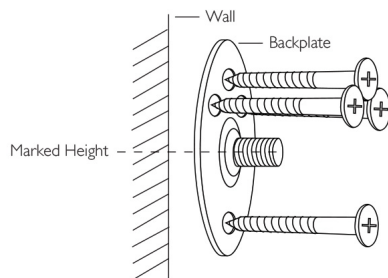
Mark the height you would like the top of the top of your drapery rail to be installed, taking into account any clearance or puddling you desire at the bottom, as well as top of rail to top of drapery difference - 1 1/4".

2. Mount

Measure the width of the track. Mark the placement of the two end brackets at the height determined in step 1, approximately 3"-4" in from the ends of where the track will be installed.

Take the back plate off the bracket and place the center of the back plate at marked height. (Remove the back plate from bracket by rotating plate counter clockwise.)

NOTE: The top of bracket will rise 1" above the rail.



3. Assemble Bracket

Reassemble the bracket onto the back plate. Screw bracket clockwise onto back plate. Turn until tight. Make sure bracket is facing down (loosen bracket set screw to adjust and tighten once complete).

4. Attach Rail to Bracket

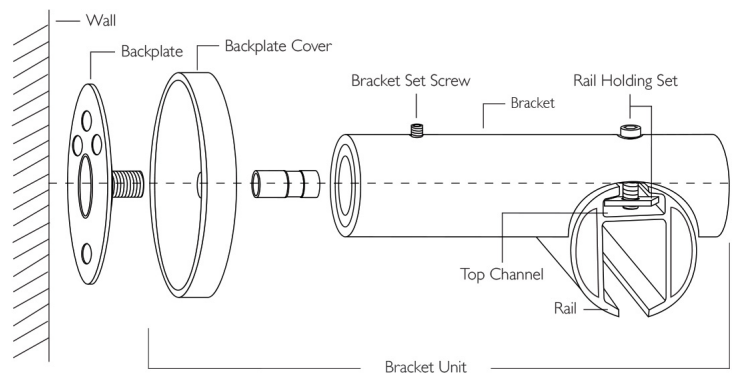
Make sure rail holding set is attached to the bracket loosely (you should receive it this way).

Attach the rail to the brackets making sure holding rail set slips into top channel.

Lock the rail holding set into the top channel using included Allen key.

5. Attach Finials

Attach finials to both ends of the rail.



DRESDEN BATON/CORD DRAW TRAVERSING COLLECTION INSTALL INSTRUCTIONS (CONTINUED)

Installing Your Wall Mount Drapery Hardware - Double Set:

Please read through all instructions carefully before you begin.

1. Mark

Mark the height you would like the top of your drapery rail to be installed, taking into account any clearance or puddling you desire at the bottom, as well as top of rail to top of drapery difference - 1 1/4".

2. Mount

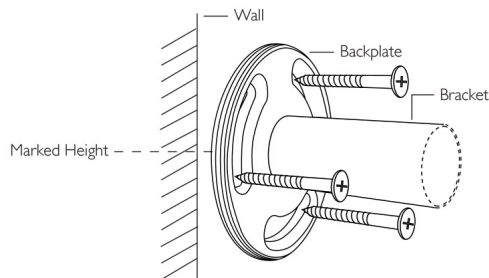
Measure the width of the track. Mark placement of the two end brackets at the height determined in step 1, approximately 3" - 4" in from the ends of where the track will be installed.

Unscrew back plate cover from back plate. Do not remove bracket from back plate. Place the center of the back plate at marked height.

Proceed to install brackets making sure brackets face down.

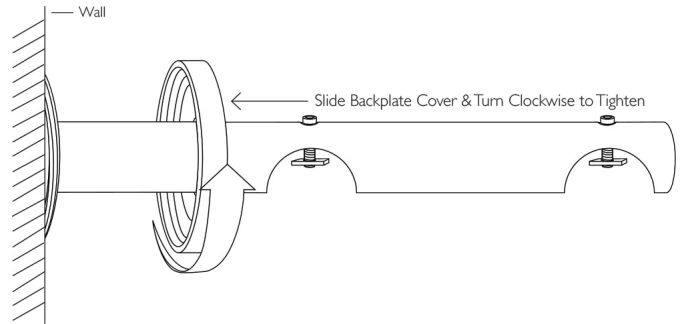
Drill in screws through the 3 slots for secure mount. Repeat this process for all other brackets evenly spacing them between the two end brackets.

NOTE: the top of the bracket will rise 13/8" above the rail.



3. Assemble Bracket

Reassemble the cover plate onto the back plate. Screw cover plate clockwise onto back plate. Turn until tight.

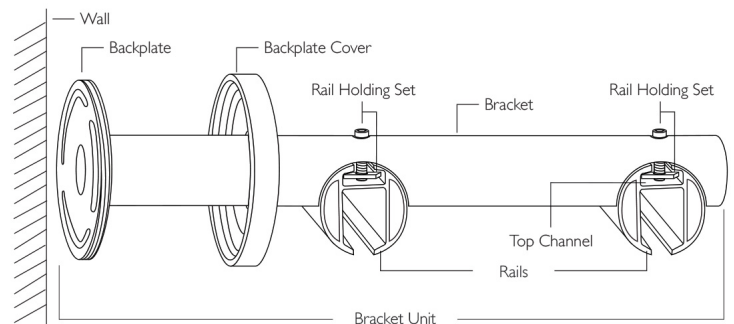


4. Attach Rail To Bracket

Make sure rail holding set is attached to the bracket loosely. (You should receive it this way.)

Attach the rails to the brackets making sure holding rail set slips into top channel.

Lock the rail holding set into the top channel using included Allen key.

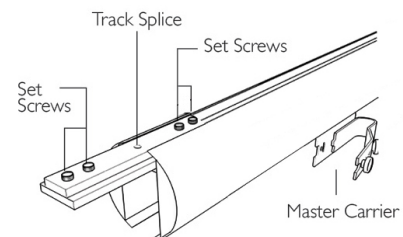


5. Attach End Caps

Installing a Splice on your Track System:

Please read through all instructions carefully before you begin.

1. Insert the Track Splice into the top channel of one of the tracks.
2. Tighten 2 set screws securely with included Allen Key.
3. Once both tracks have been attached to mounting brackets, butt the two tracks up against one another and ensure they line up seamlessly. Make sure the "arm(s)" of the master carrier(s) are facing into the room.
4. Tighten the other 2 set screws on the Track Splice.



DRESDEN BATON/CORD DRAW TRAVERSING COLLECTION INSTALL INSTRUCTIONS (CONTINUED)

Installing Your Ceiling Mount Drapery Hardware

Please read through all instructions carefully before you begin.

1. Mark - Figure 1

Mark ceiling where center of rail will be installed. Make sure to clear all obstructions.

NOTE: A minimum of 1 2/4" off the back wall for a pleat clearance is required for ripplefold drapery.

2. Mount

Measure the width of the track. Mark the placement of the two end brackets at the depth determined in step 1, approximately 3" – 4" in from the ends of where the track will be installed.

Remove stem cover from bracket by loosening hex screw.

Install center of stem cover on mark. Secure to ceiling with appropriate hardware (consult your local hardware store if necessary for a secure install).

3. Attaching Rail - Figure 2

Attach bracket stems to rail by sliding rail holding set into the top channel. Repeat same for all brackets.

Line up each bracket to the installed stem covers by sliding and setting at appropriate locations. Setting the brackets is done by rotating bracket clockwise until secure.

Slide all brackets onto the installed stem covers and secure by tightening hex screw.

* Double check to make sure brackets are installed properly to avoid rail from dislodging from stem covers.

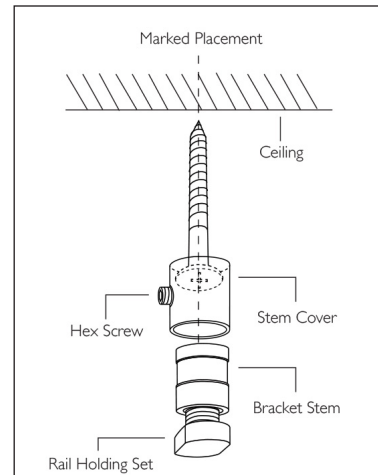


FIGURE 1

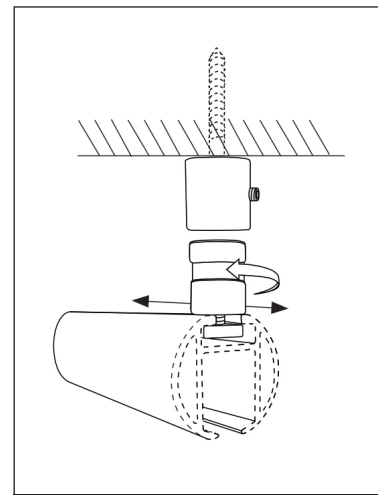


FIGURE 2

49501-25 TENSION DEVICE FOR CHILD SAFETY INSTALLATION INSTRUCTIONS

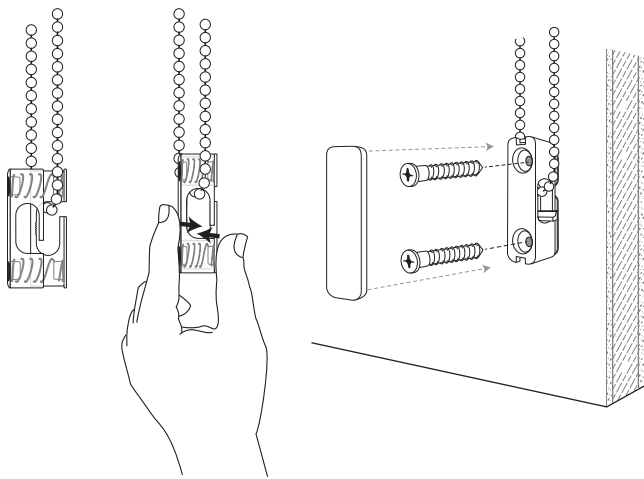
BY SIMPLY FOLLOWING THESE STEP-BY-STEP INSTRUCTIONS, YOU WILL SOON BE ENJOYING YOUR NEW DRAPERY HARDWARE.

Installing Tension Device – Cord Draw System

Consider Position of Tension Device:

The tension device should be positioned on the window frame or the wall so that the tension device and control cord does not interfere with operation or hanging of drapery.

The tension device should be installed so that cord is taut without stretching or pulling down on it. Stretching the cord will cause excessive wear. Do not twist or cross the control cord.



Install Tension Device:

Loop chain into back of device. Pinch device moving chain forward toward the front. Use two screws to attached device to the wall and locking chain in safety position. Use screw cap to cover screws.

Please Note: When attaching to wood, included screws can be screwed directly into wood. When attaching to drywall and metal, use anchors that are designed for such substrates. Visit your local hardware store for guidance on appropriate anchors for your substrate.

The Forest YouTube Channel is 24/7 Technical Support



Watch the Tension Device Installation Video



Go to the Forest YouTube Channel